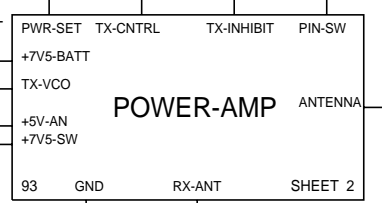
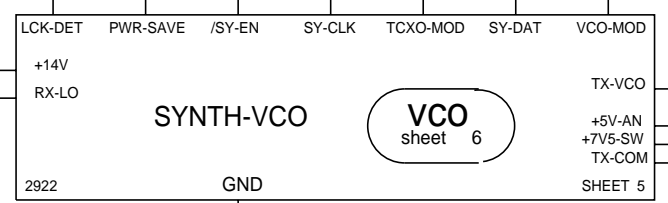
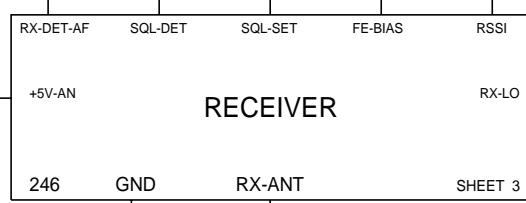
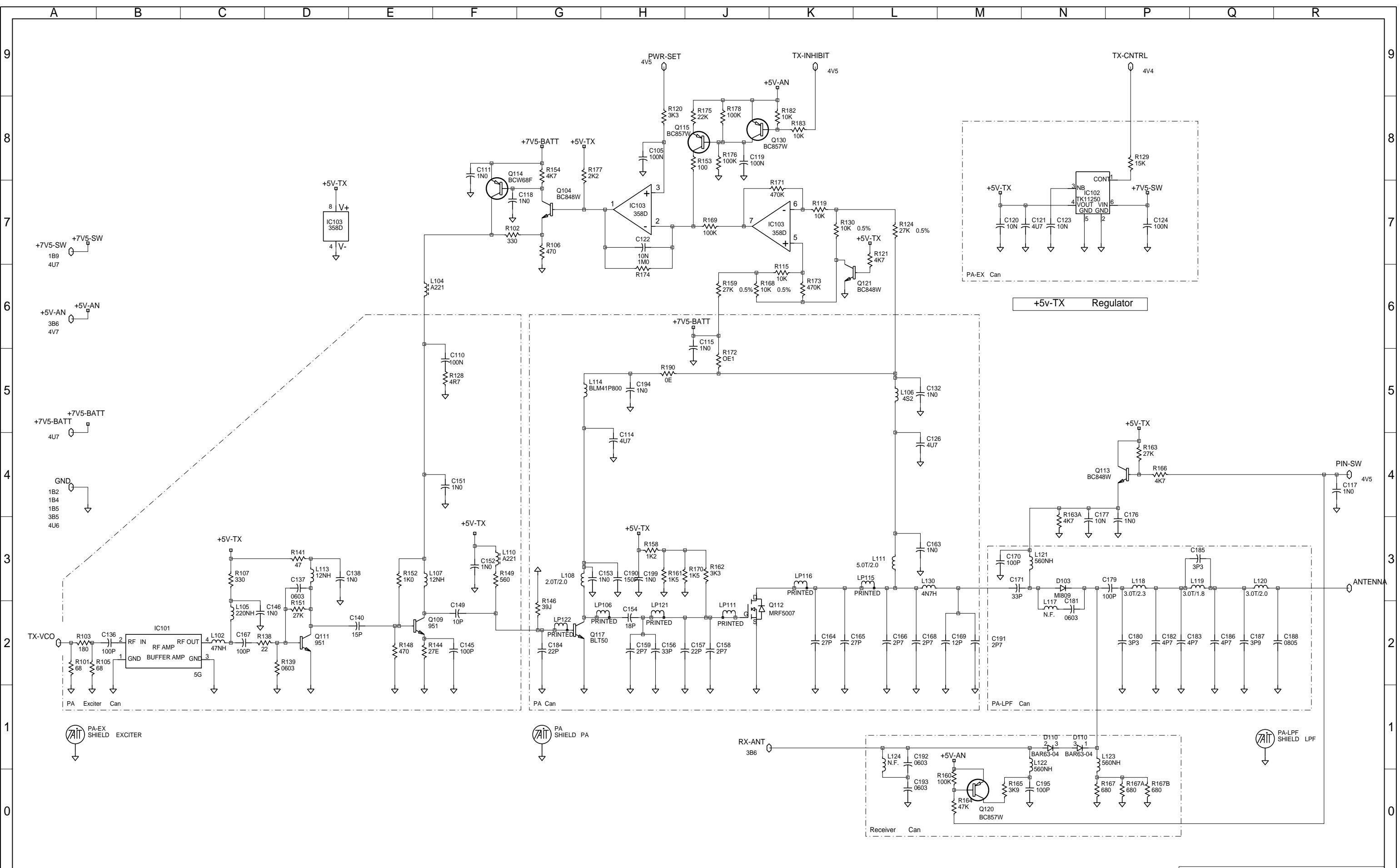


**PROCESSOR**  
252 SHEET 4  
**DSP AUDIO**



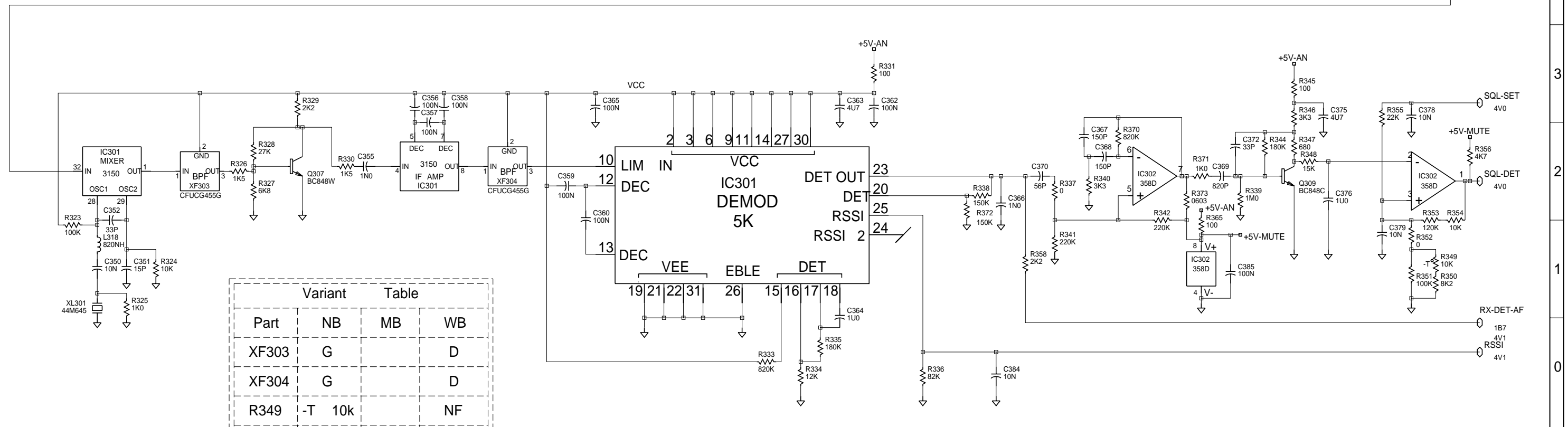
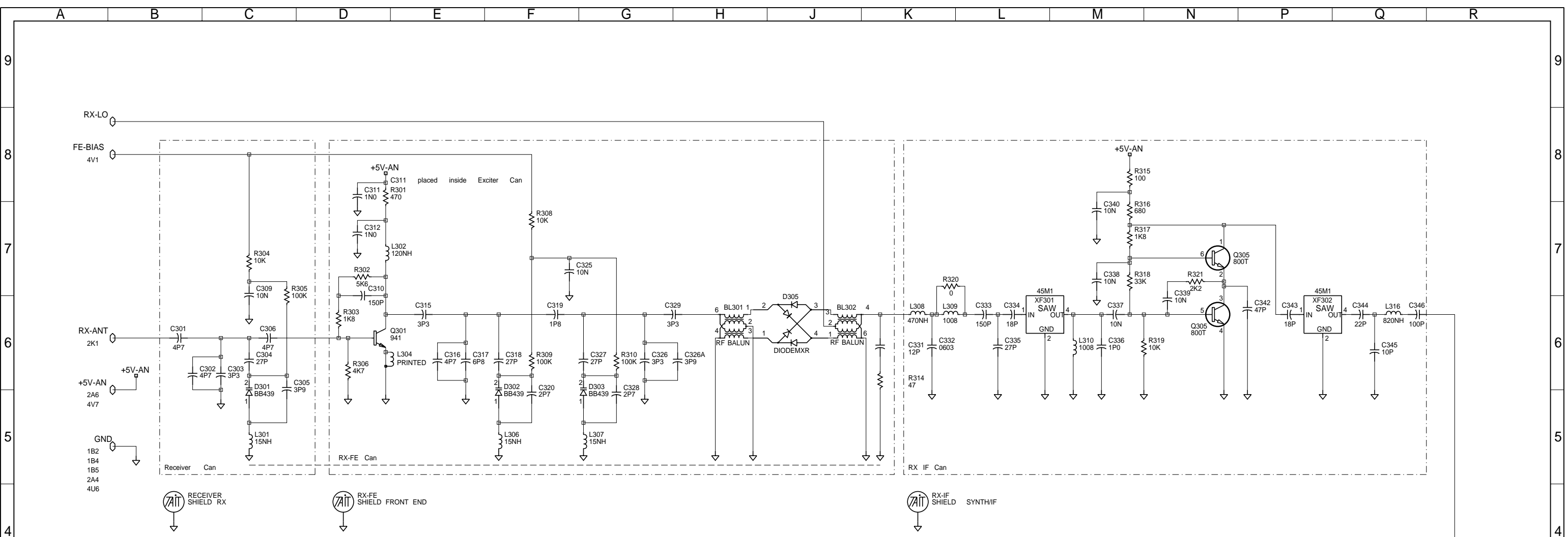
05	MOREUPDATES	DBH				
04	UPDATED AND MOVED AERIAL SOCKET	MAJ				
03 B	UPDATED VALUES ADDED CANS TO PLA	MAJ				
REV/ISS	AMENDMENTS	DRAWN	CHKD	D.O.	APVD	DATE

© **TAIT ELECTRONICS**  
 ORCA :TP010-5122 400-470MHZ  
 SYSTEM DIAGRAM  
 IPN: A ID: 2.SC. 1  
 PROJECT: 220-01392-05 DESIGNER: ORCA DBH FILE NAME: 139205A FILE DATE: 21-10-97 NO.SHEETS: 7



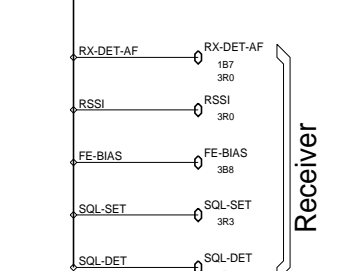
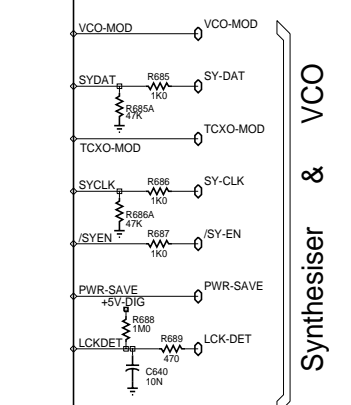
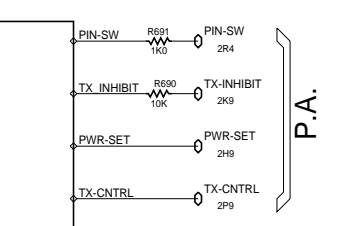
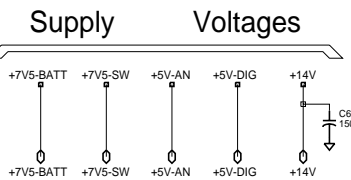
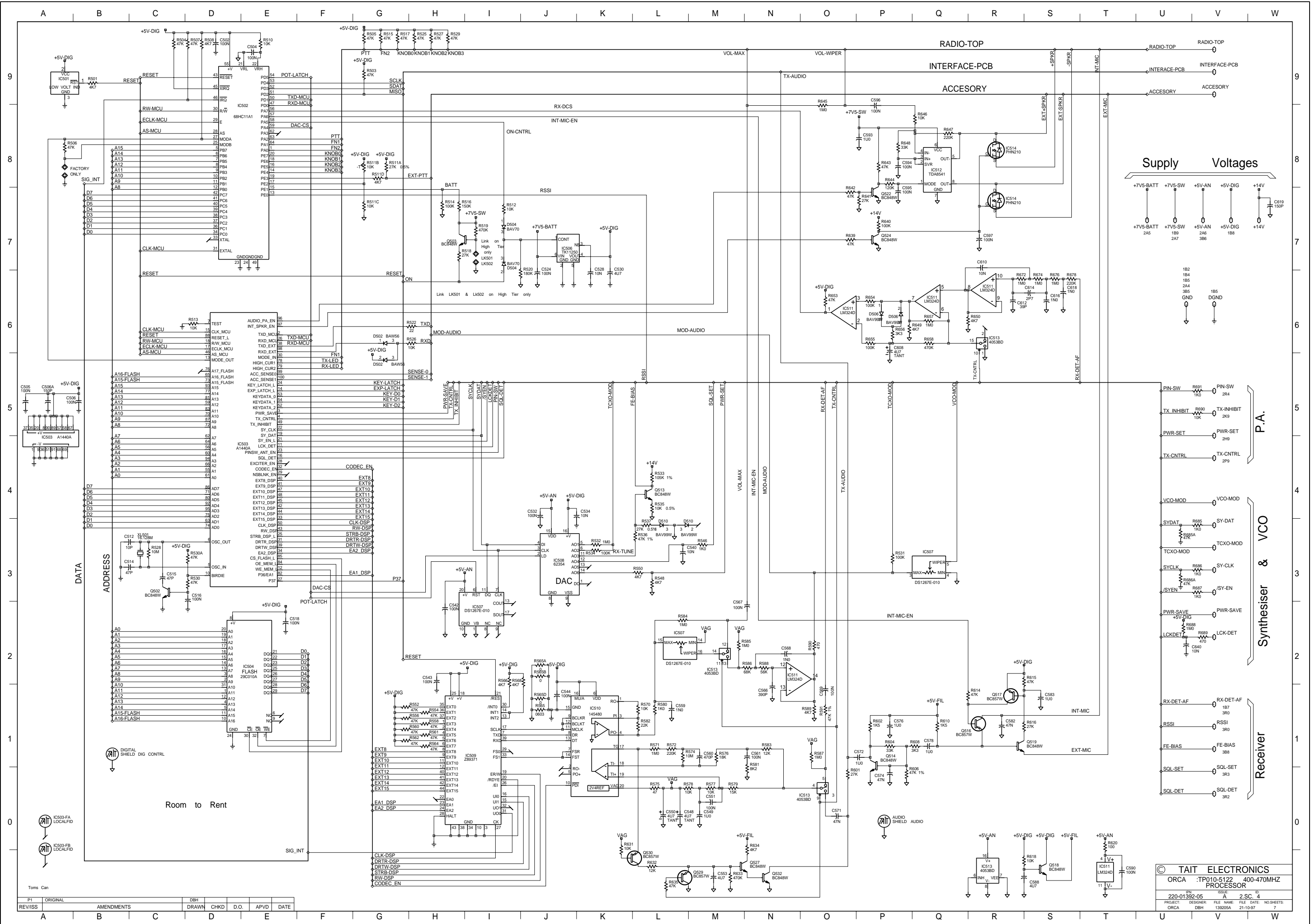
© TAIT ELECTRONICS  
 ORCA :TP010-5122 400-470MHZ  
 POWER AMPLIFIER  
 IPN: 220-01392-05 ISSUE: A ID: 2.S.C. 2  
 PROJECT: ORCA DESIGNER: DBH FILE NAME: 139205A FILE DATE: 21-10-97 NO.SHEETS: 7

REV/ISS	AMENDMENTS	DRAWN	CHKD	D.O.	APVD	DATE
A						



REV/ISS	AMENDMENTS	DRAWN	CHKD	D.O.	APVD	DATE
A						

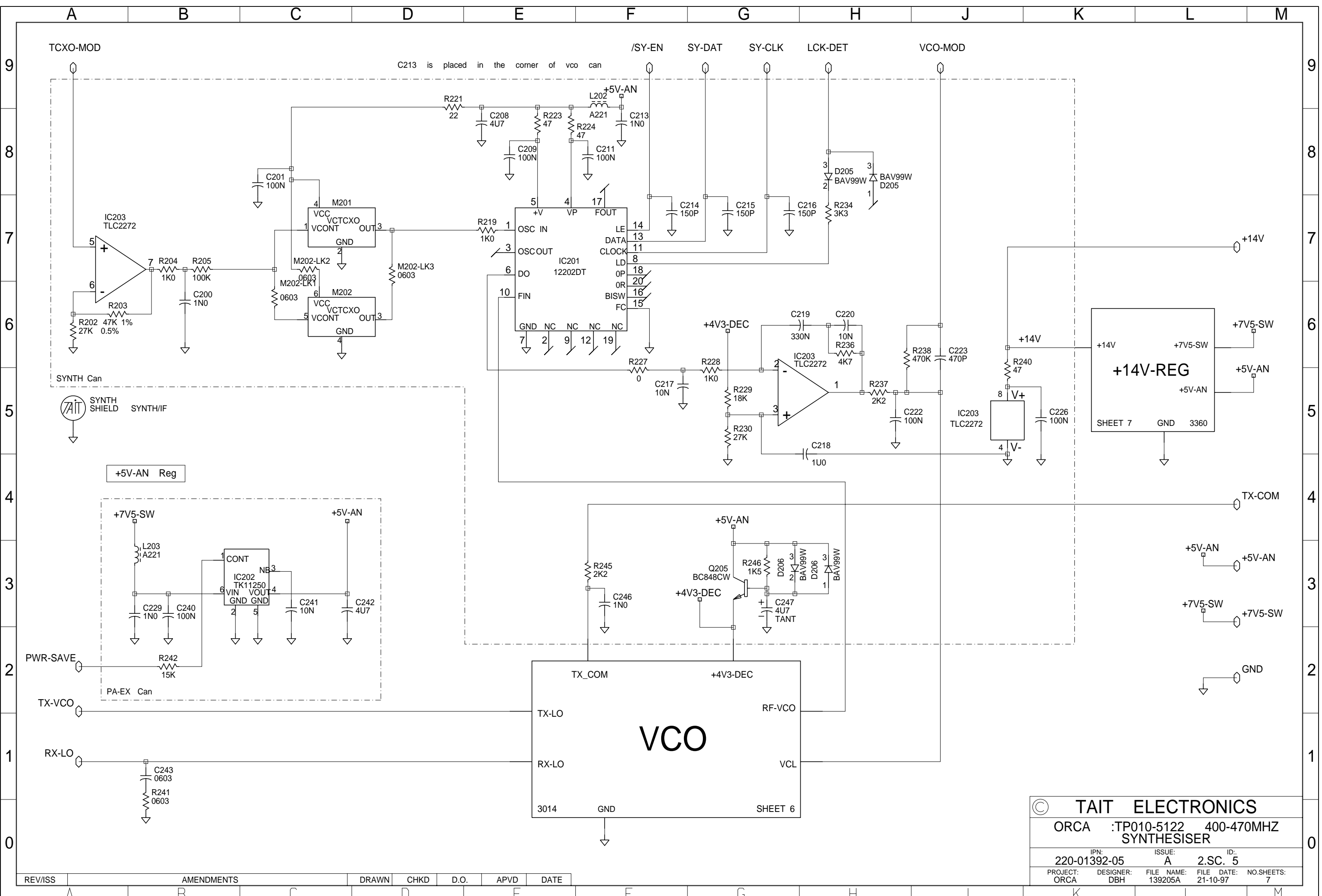
© TAIT ELECTRONICS  
ORCA :TP010-5122 400-470MHZ RECEIVER  
IPN: 220-01392-05 ISSUE: A ID: 2.S.C. 3  
PROJECT: ORCA DESIGNER: DBH FILE NAME: 139205A FILE DATE: 21-10-97 NO.SHEETS: 7



Room to Rent

© TAIT ELECTRONICS	
ORCA :TP010-5122	400-470MHZ
PROCESSOR	
220-01392-05	2 SC. 4
PROJECT: ORCA	DESIGNER: DBH
FILE NAME: 138205A	FILE DATE: 21-10-97
NO SHEETS: 7	

REV/ISS	P1	ORIGINAL	AMENDMENTS	DRAWN	CHKD	D.O.	APVD	DATE
	A							



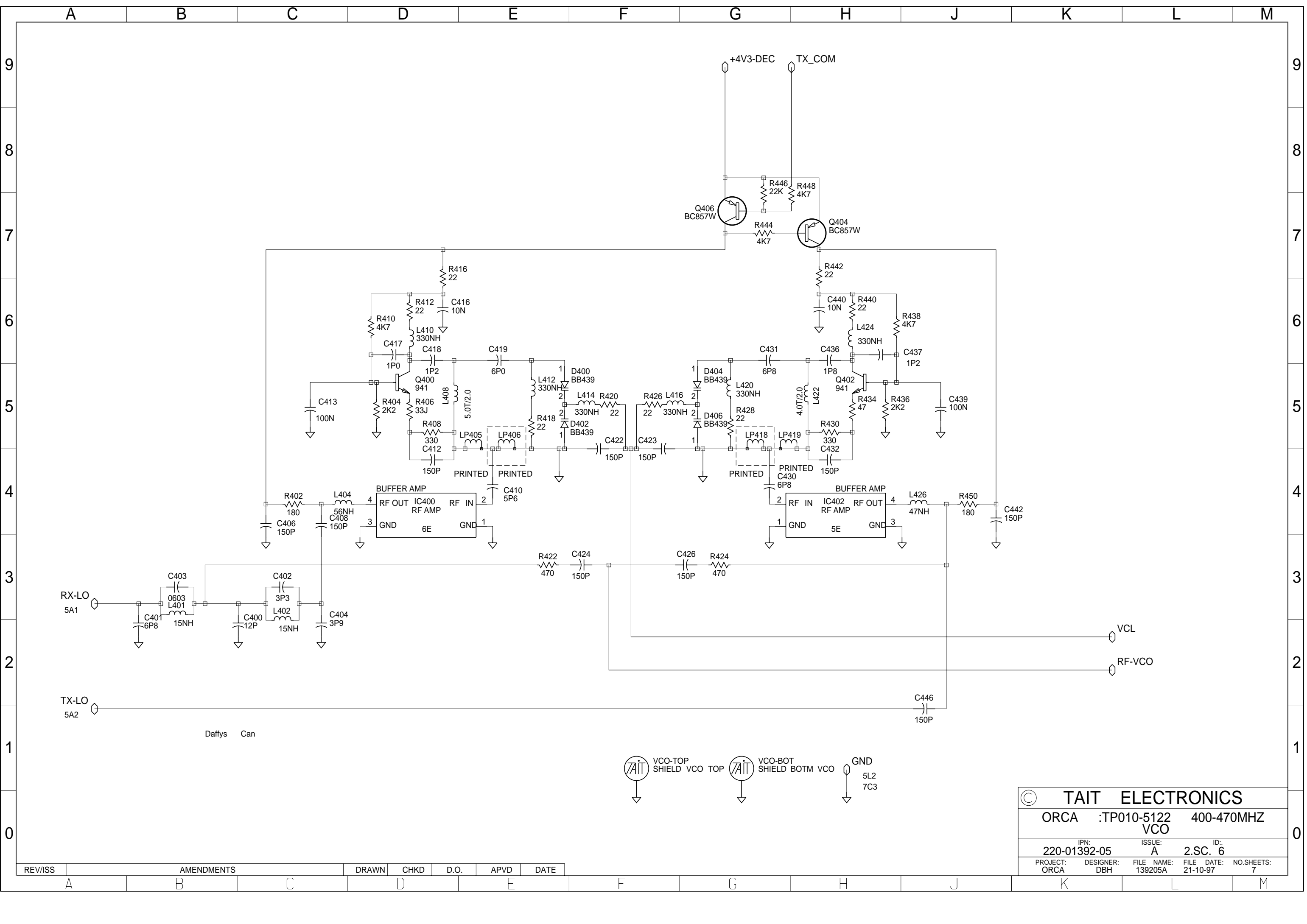
C213 is placed in the corner of vco can

**+14V-REG**  
SHEET 7  
GND 3360

**VCO**  
3014  
GND  
SHEET 6

© TAIT ELECTRONICS				
ORCA :TP010-5122 400-470MHZ SYNTHESISER				
IPN:	ISSUE:	ID:		
220-01392-05	A	2.SC. 5		
PROJECT:	DESIGNER:	FILE NAME:	FILE DATE:	NO.SHEETS:
ORCA	DBH	139205A	21-10-97	7

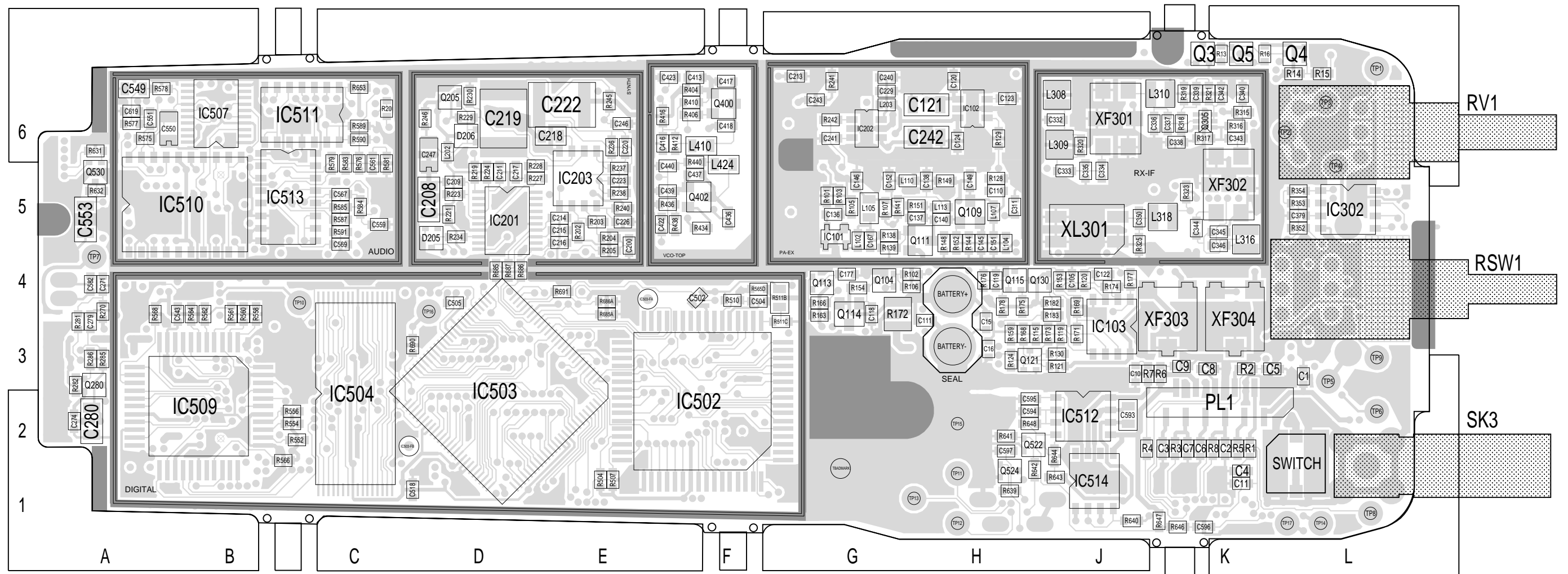
REV/ISS	AMENDMENTS	DRAWN	CHKD	D.O.	APVD	DATE



© TAIT ELECTRONICS  
 ORCA :TP010-5122 400-470MHZ  
 VCO  
 IPN: 220-01392-05 ISSUE: A ID: 2.SC. 6  
 PROJECT: ORCA DESIGNER: DBH FILE NAME: 139205A FILE DATE: 21-10-97 NO.SHEETS: 7

REV/ISS	AMENDMENTS	DRAWN	CHKD	D.O.	APVD	DATE

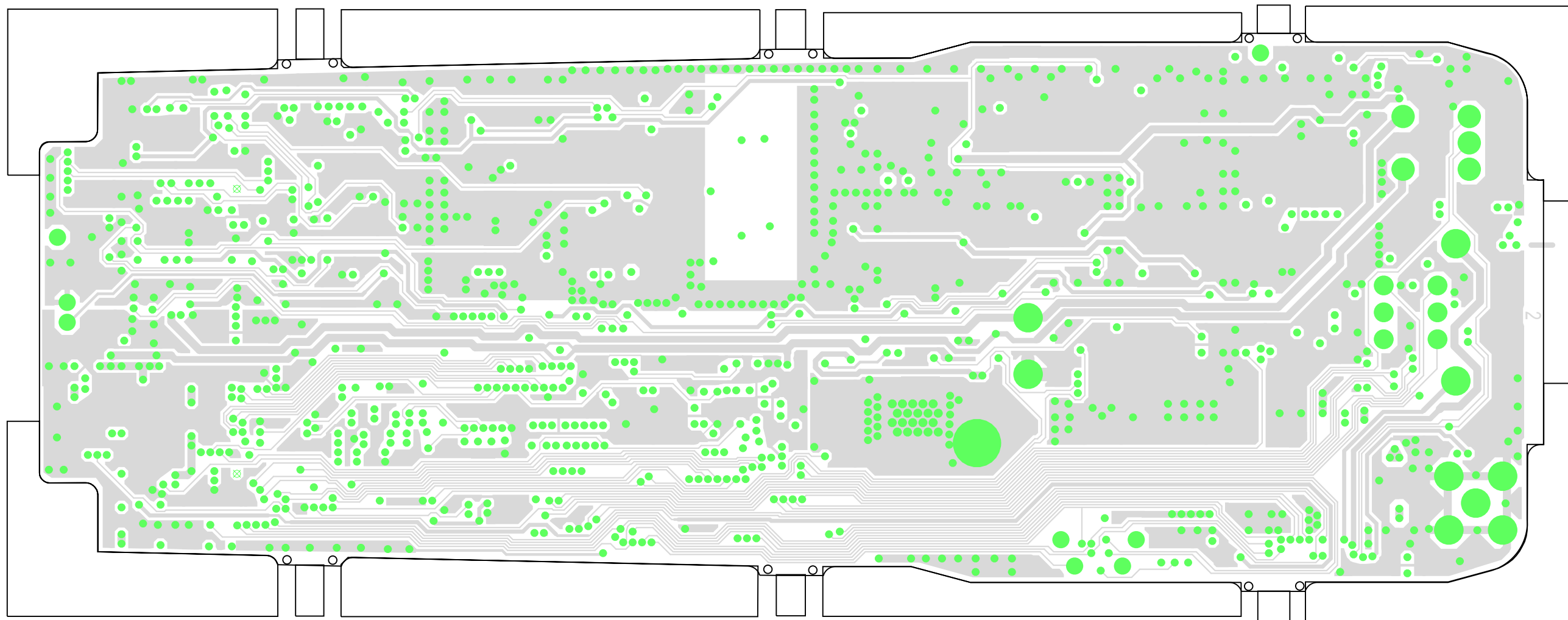




TAIT ELECTRONICS IPN: 220-01392-05 ISS: -05A ID: 1.TA DATE: 23 Oct 1997  
 ORCA UHF PCB LAYOUT - TOP SIDE

Scale: 2.3:1 ; Rotation: 0 degrees





TAIT ELECTRONICS	IPN: 220-01392-05	ISS: -05A	ID: 5.CU	DATE: 23 Oct 1997
ORCA UHF COPPER LAYOUT - LAYER 5				

Scale:2.3:1 ; Rotation: 0 degrees